



GET  
SOME  
SPACE  
IN YOUR  
LIFE



**Catalog**





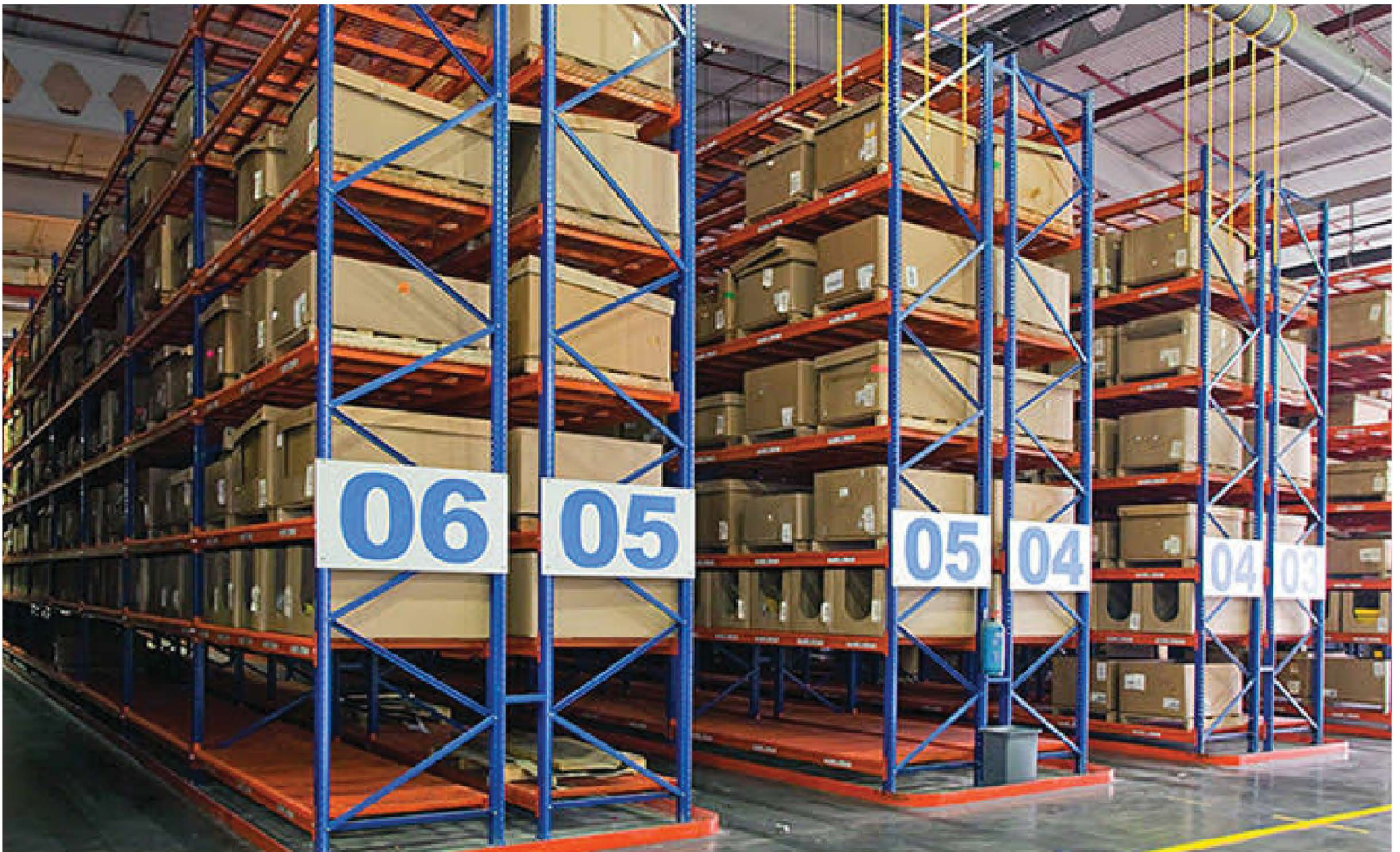
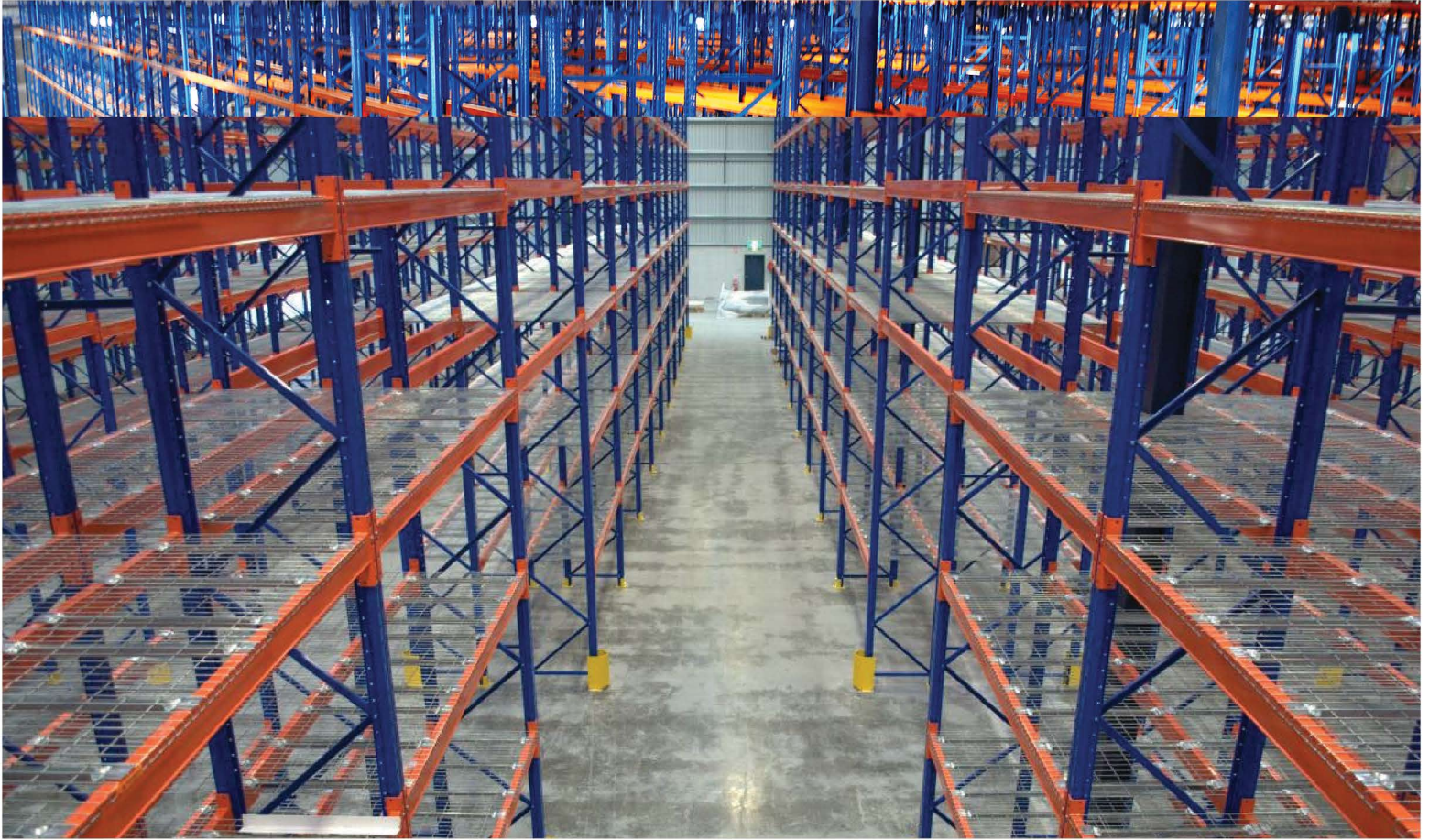
# Selective pallet Rack

 **iRack**  
STORAGE SOLUTION

 **iRack**  
STORAGE SOLUTION

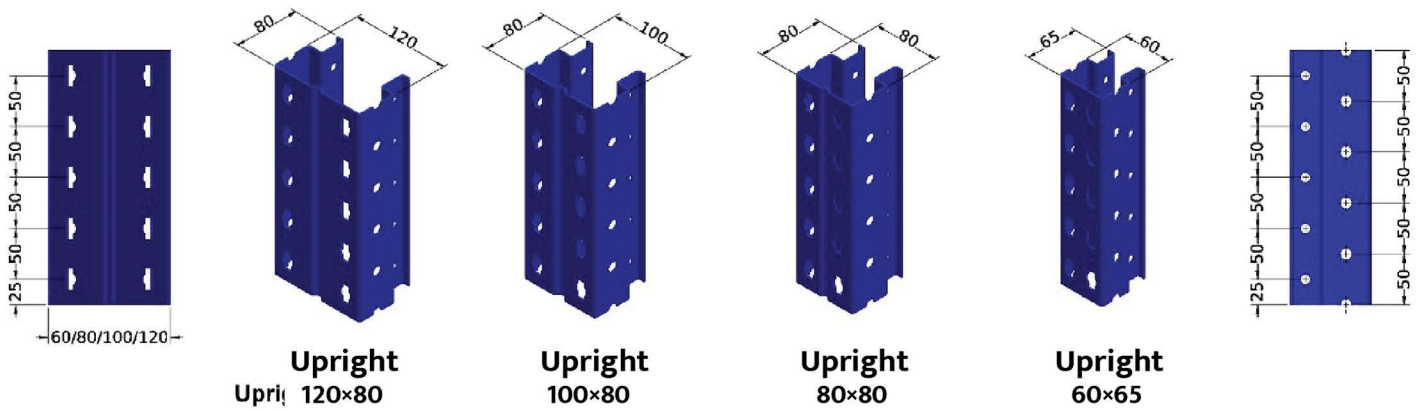


# SELECTIVE PALLET RACK



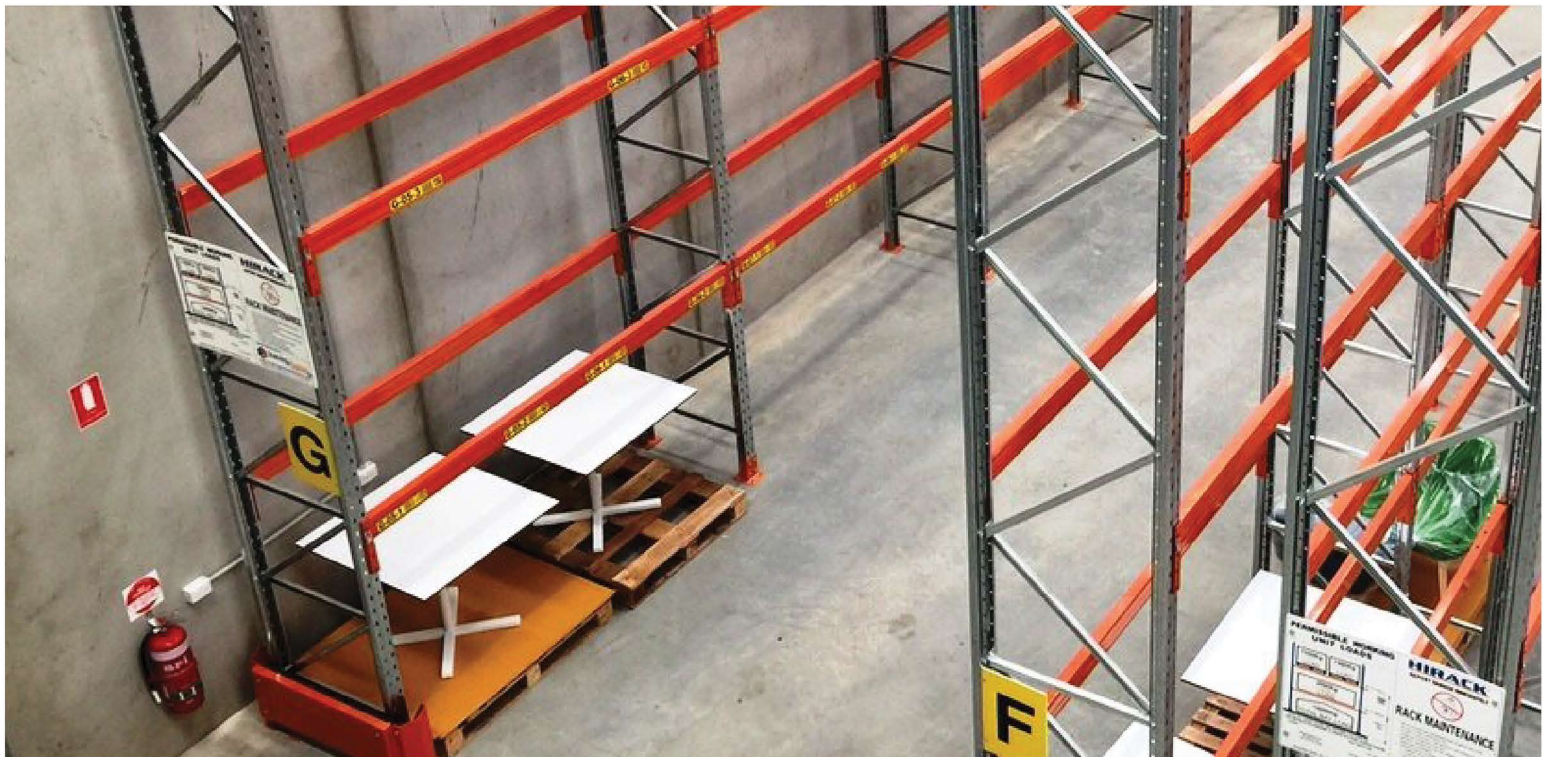


# SELECTIVE PALLET RACK



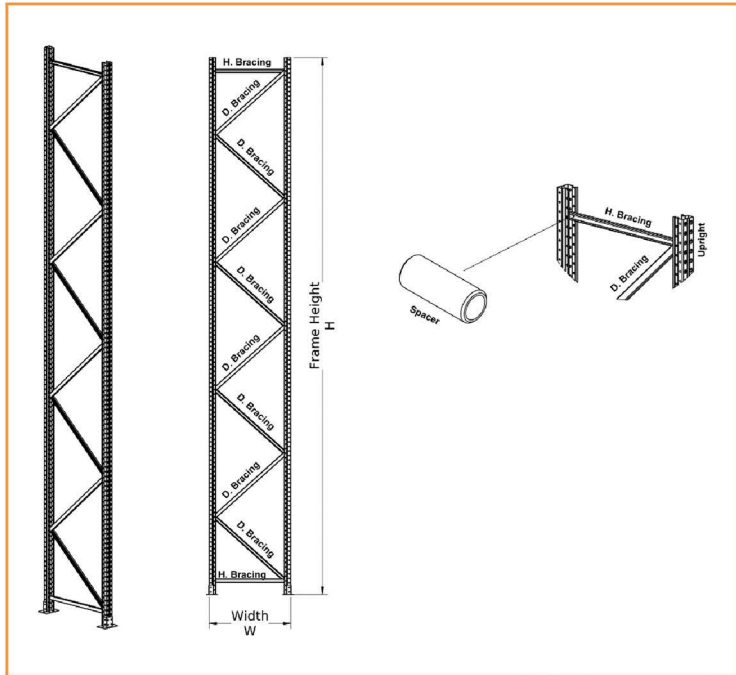
## Upright :

Type of Upright	Width	Depth	Thickens		
			1.5	2	2.5
IR-U-060-065	60	65	✓	✓	✗
IR-U-080-085	80	80	✓	✓	✗
IR-U-100-080	100	80	✗	✓	✓
IR-U-120-080	120	80	✗	✓	✓

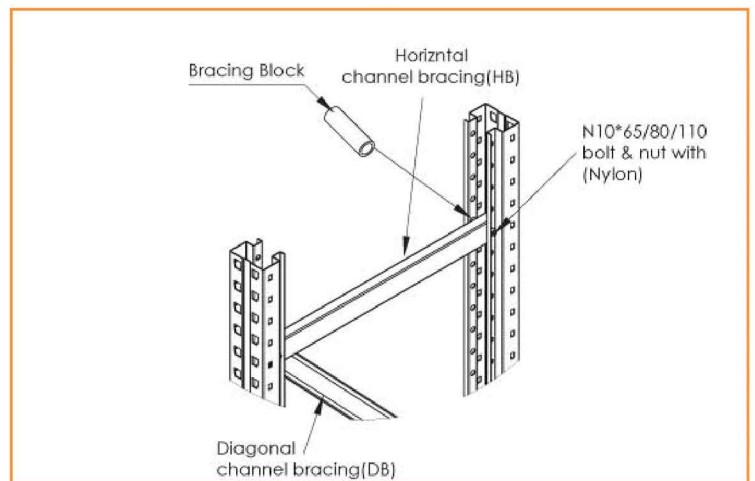
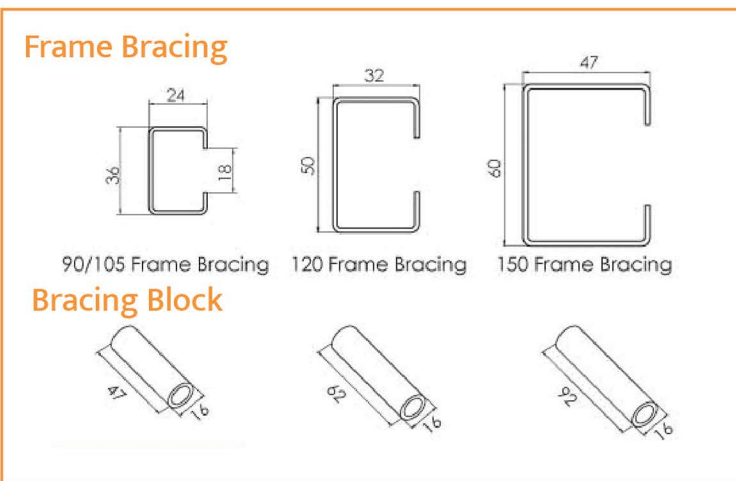


# SELECTIVE PALLET RACK

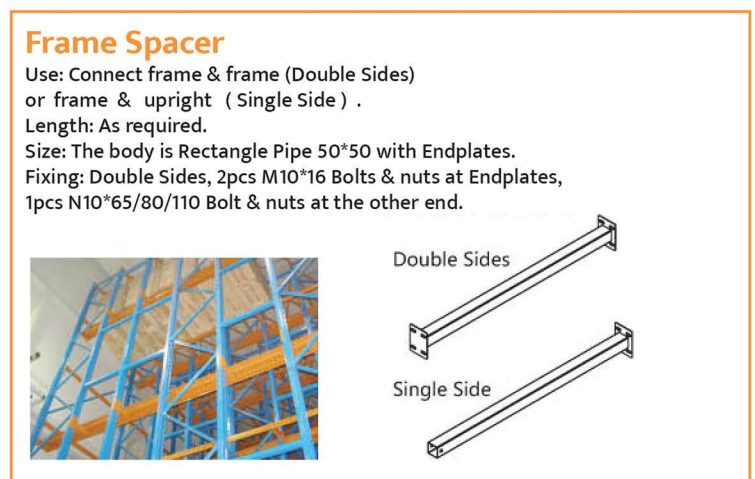
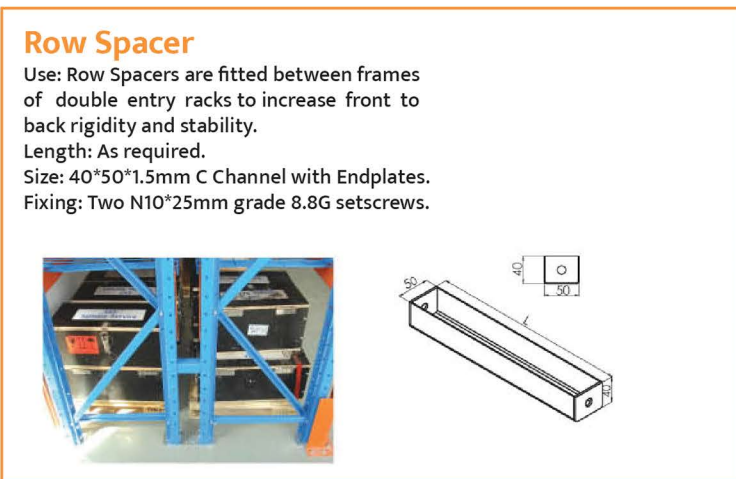
## Frame



## Frame Bracing & Bracing Block

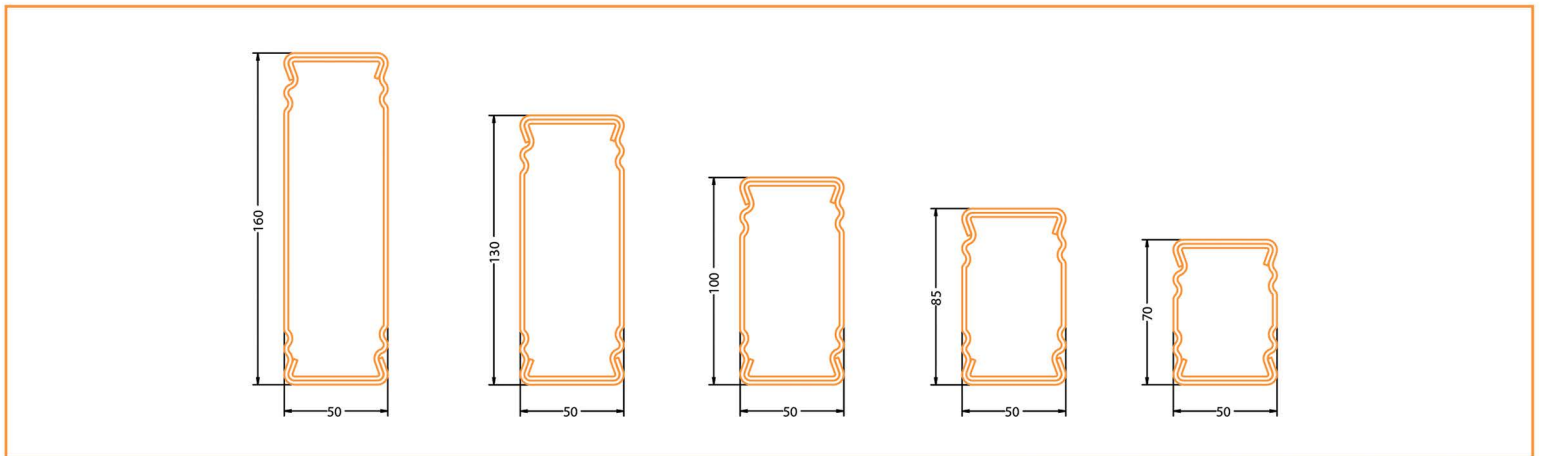


## Spacer



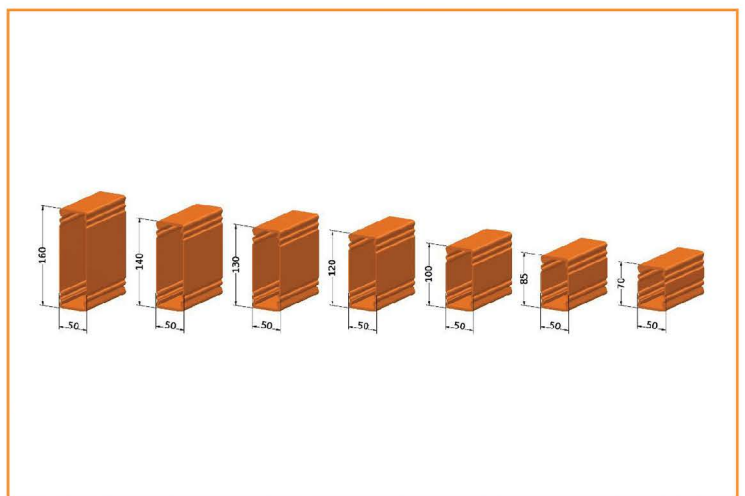
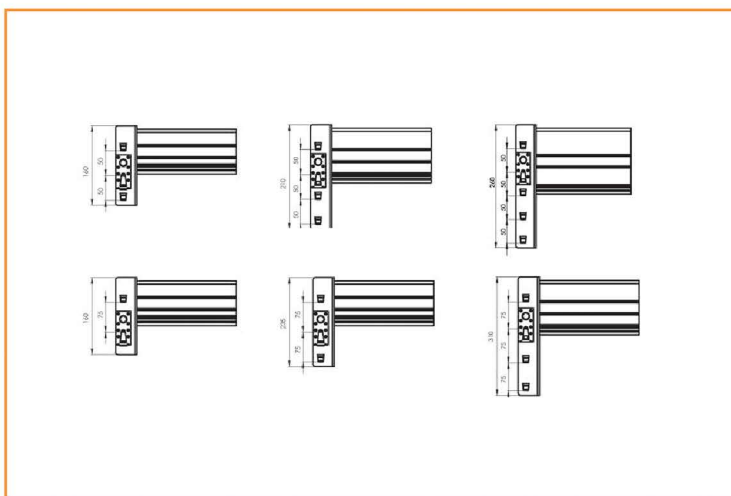


# SELECTIVE PALLET RACK



## Box Beam :

Type of Upright	Width	Depth	Thickens		
			1.5	2	2.5
IR-U-070-50	70	50	✓	✓	✗
IR-U-085-50	85	50	✓	✓	✗
IR-U-100-50	100	50	✓	✓	✓
IR-U-120-50	120	50	✓	✓	✓
IR-U-130-50	130	50	✓	✓	✓
IR-U-140-50	140	50	✓	✓	
IR-U-160-50	160	50	✓	✓	✓

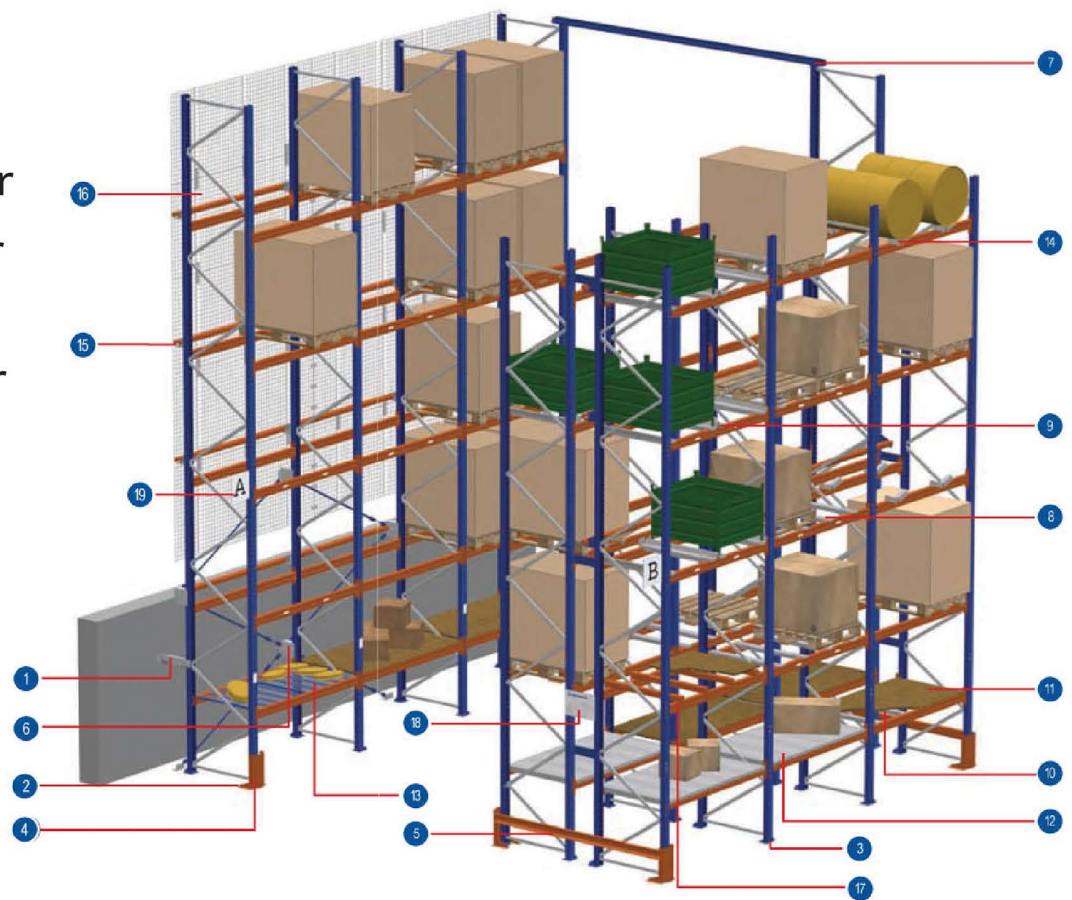


## SELECTIVE PALLET RACK

In order to store palletised products, IRack® I, with its wide experience as a racking manufacturer, has developed an extensive range of accessories which enable the most demanding of storage needs to be met.

### Basic components of conventional pallet racking:

- 1) Wall tie
- 2) Floor anchor bolts
- 3) Levelling shims
- 4) Upright protector
- 5) Bump protector
- 6) Spine bracing
- 7) Top tie
- 8) Pallet support bar
- 9) Stillage container support bar
- 10) Shelf Support Bar
- 11) Chipboard or melamine shelf
- 12) Metal Shelf
- 13) Wiremesh deckin
- 14) Coil support bar
- 15) Pallet stop bar
- 16) Anti-collapse mesh guarding
- 17) Fork entry bar
- 18) Safety sign & Maintenance sign
- 19) Aisle identification plate



# SELECTIVE PALLET RACK

## Top Tie

USE: Connect the top of the frames along the aisles to increase the stability of the racks.

LENGTH: As required.

SIZE: The body is Rectangle Pipe 50\*50 with Endplates.

FIXING: 4pcs M10\*16 Bolt & nuts and 4pcs M10 washers.

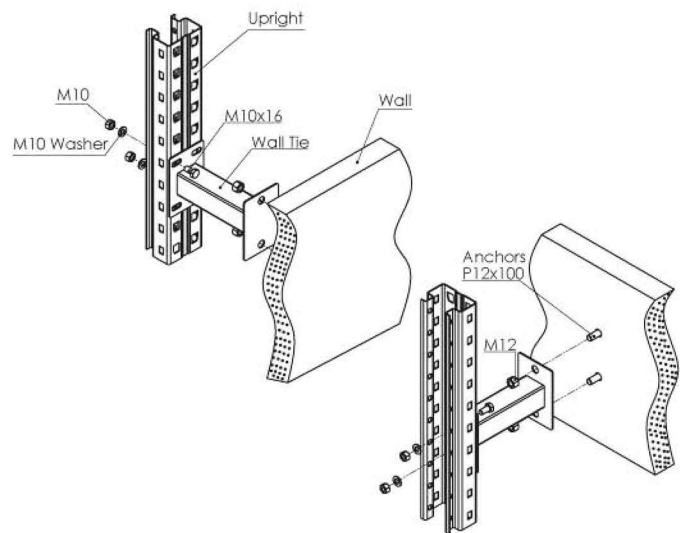
## Wall Tie

USE: Connect frame & wall.

LENGTH: As required.

SIZE: The body is Rectangle Pipe 50\*50 with Endplates.

FIXING: 2pcs M10\*16 Bolt & nuts, 2pcs M10 washers and 2pcs P12\*75 Anchors.



## Baseplate & Shim :

**The baseplate must be fitted to every upright to:**

Provide a smooth bearing surface for the upright.

Spread the load of the upright over a reasonable area of floor.

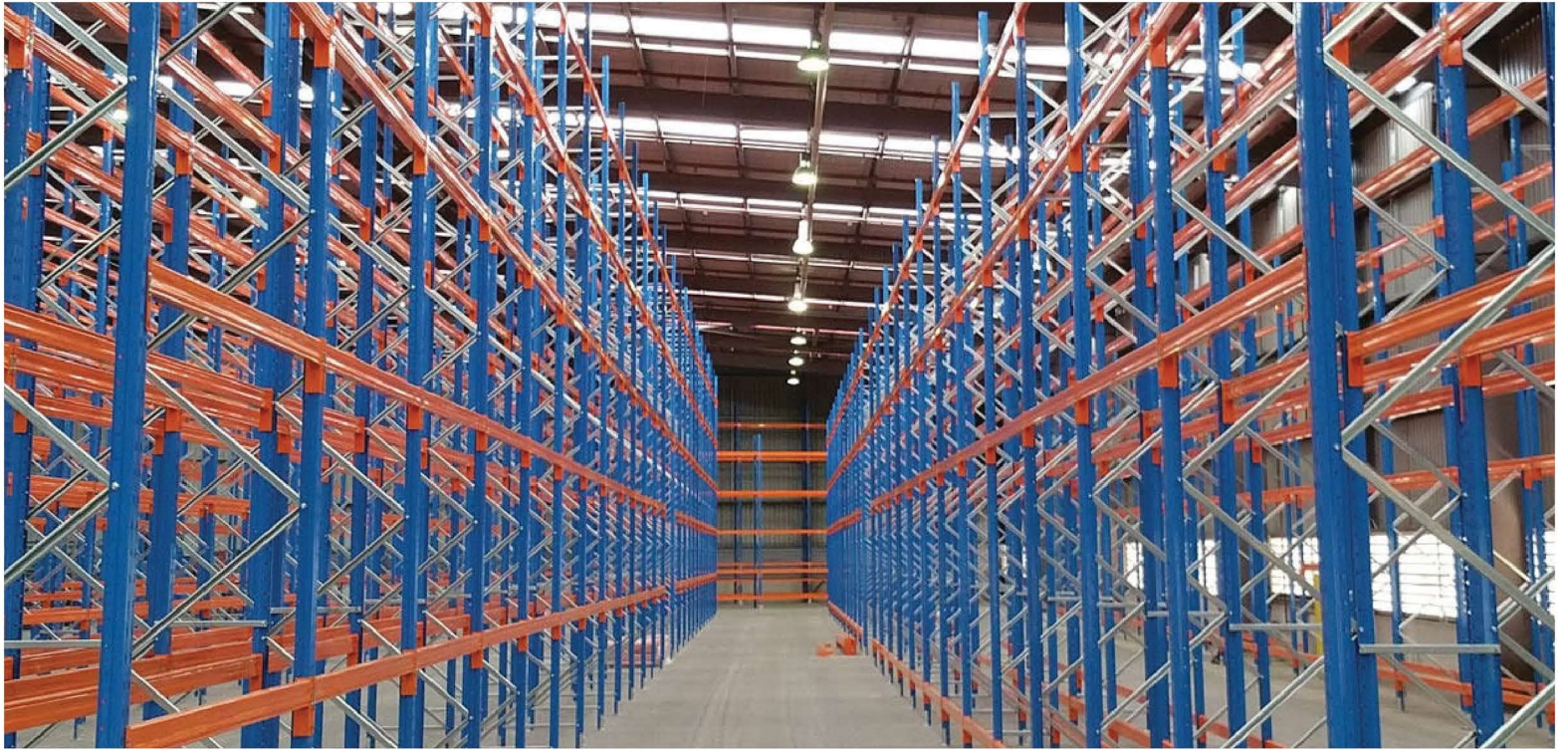
Provide a means of fixing the upright to the concrete floor.

Provide a means of levelling the upright when necessary.





# SELECTIVE PALLET RACK



## Finish & Color

Finish : Powder Epoxy-Polyester Coating ,Galvanized.







## Cairo

 Head Office: 42 Sheraton Buildings,  
Heliopolis ,Cairo

 Factory :First Industrial Zone,  
Block 21 ,Block 12001,  
Northen Exension, Obour City

 + 201200600354 / + 201283030146  
+ 201066448700 / + 201097172533

 + 20222685272

[info@lrackeg.com](mailto:info@lrackeg.com)  
[www.irackeg.com](http://www.irackeg.com)

## KSA

 + 966 56 393 2092

 + 966 50 036 3664

## UAE

 + 971 50 654 1402